



Montalift M30-4WDS



SCAN NOW

for more info on the Montalift

Self-Erecting Tower Crane 36tm on Self-Propelled Undercarriage



SPECIFICATIONS

Self-Erecting Tower Crane 36tm

- Jib length 98.4' and lifting height 73.4' or maximum 111.8' with raised jib
- Maximum capacity 8,800lbs, lifting, trolley and slewing motion controlled by inverter
- Octagonal galvanized mast and compact jib with lattice construction
- Equipped with maximum load and load moment safety systems
- Assembly & disassembly via radio control
- Steel counterweight of 38,850lbs with a slewing radius of 6.6', counterweight is removable
- 3 x LED lighting in the jib

Self-Propelled Undercarriage 4WDS

- 4-wheel drive, choice of two driving speeds via inverter, controlled by pushbutton control
- 4-wheel independent steering
- Heavy duty axels with hub reduction and 8pcs 10.00x20HD tires
- Can be driven while crane is fully erect
- Four extendable hydraulic outriggers with a base of 12.8'x13.1'
- Power supply 480V
- Transport Dimensions (l x w x h) 48.88' x 9.81' x 10.83', total weight 81,130 lbs

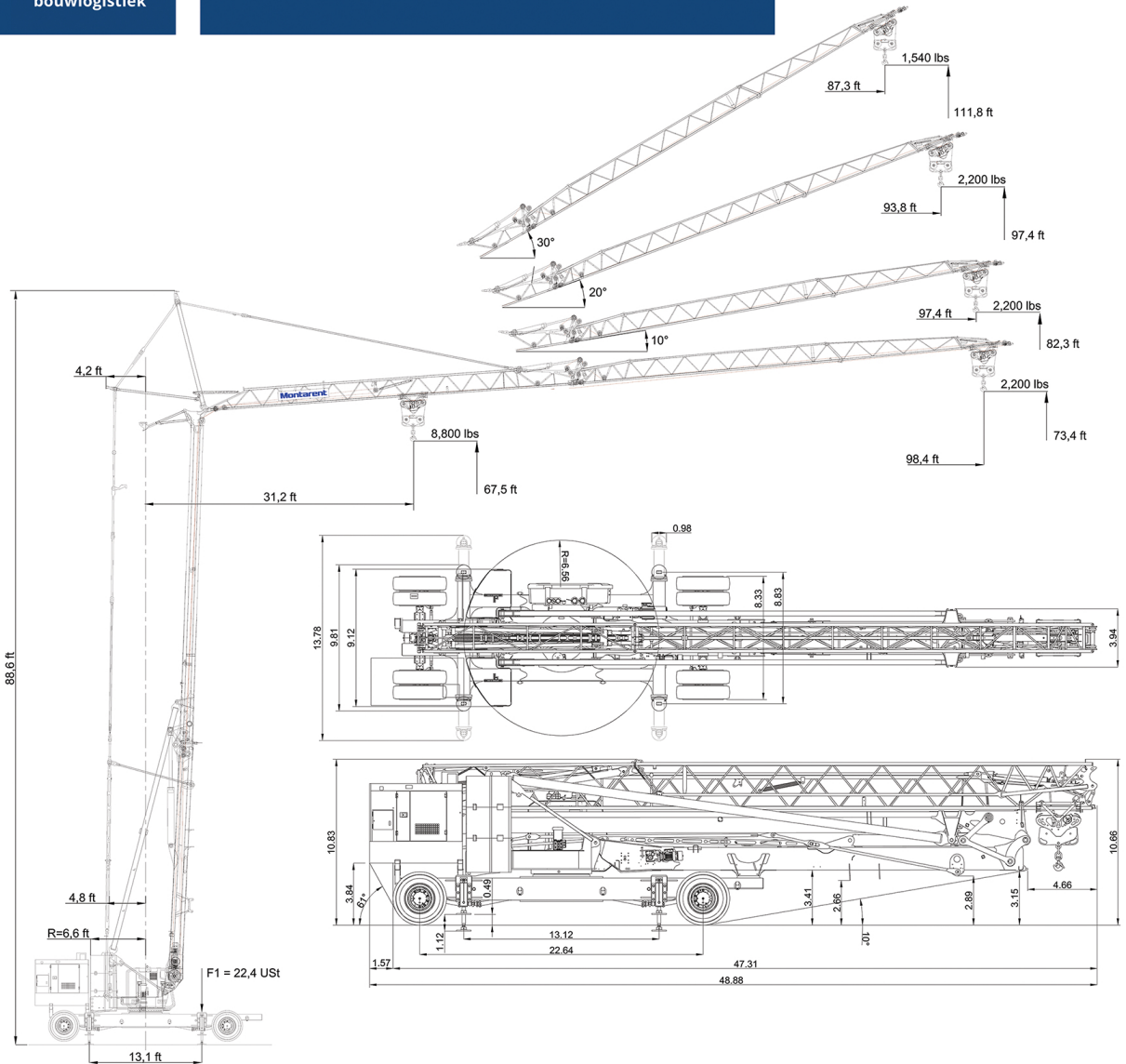
LOADCHART

Radius (ft)	30	36	39	53	56	72	76	82	89	98.4
Capacity(lb)	8,800	7,350	6,650	4,700	4,350	3,200	3,050	2,750	2,500	2,200

NOTE: Dimensions and weights may vary due to manufacturing tolerances.



Montalift M30-4WDS



M30 4WDS Mobile Tower Crane	Total Weight (lbs)	Front Axel (lbs)	Rear Axel (lbs)
including ballast, 4 x outrigger float generator with support, 84.5 gal fuel	81,020	39,660	41,360



Pennsylvania

Harrisburg
7201 Paxton Street
Harrisburg, PA 17111
800-325-6455

Philadelphia
135 Lincoln Avenue
Prospect Park, PA 19076
800-220-4033

Pittsburgh
8181 Noblestown Road
McDonald, PA 15057
800-692-7600

Wilkes-Barre
600 Sathers Drive
Pittston, PA 18640
866-667-6756

New York

Albany
3 Industry Drive
Waterford, NY 12188
518-357-2200

Syracuse
6018 Drott Drive
Syracuse, NY 13057
800-368-6455

THIS CHART IS ONLY A GUIDE AND SHOULD NOT BE USED TO OPERATE THE CRANE.

The individual crane's load chart, operating instructions and other instructional plates must be read and understood prior to operating the crane