



Montalift M21-4WDS



SCAN NOW
for more info
on the Montalift

Potain IGO MA21 Self-Erecting Tower Crane Mounted on 4WD/4WS Self-Propelled Montalift Carrier



Specifications

- 85 ft. Maximum Radius
- 61 ft. Maximum Under Hook Height (Jib Horizontal)
- 85 ft. Maximum Under Hook Height (Jib Offset)
- 3,968 lb. Maximum Capacity
- Erected within 10 minutes
- Crane Fully Radio Remote Operated
- 4 Outriggers with 13' 1" x 13' 1" Base
- Electro-mechanical 4WD/ 4WS
- 2 Speed Transmission
- Can be Driven Fully Erected
- Carrier Uses Tethered Controls

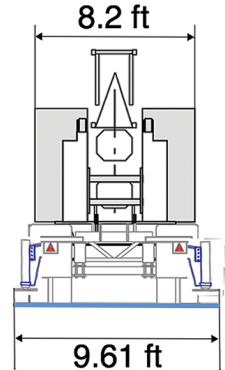
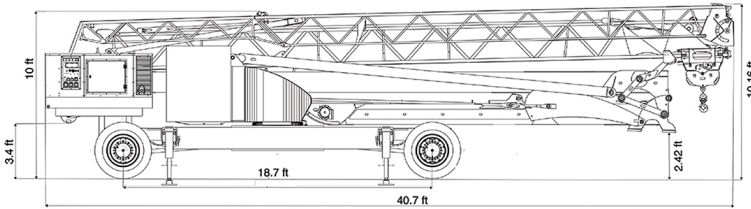
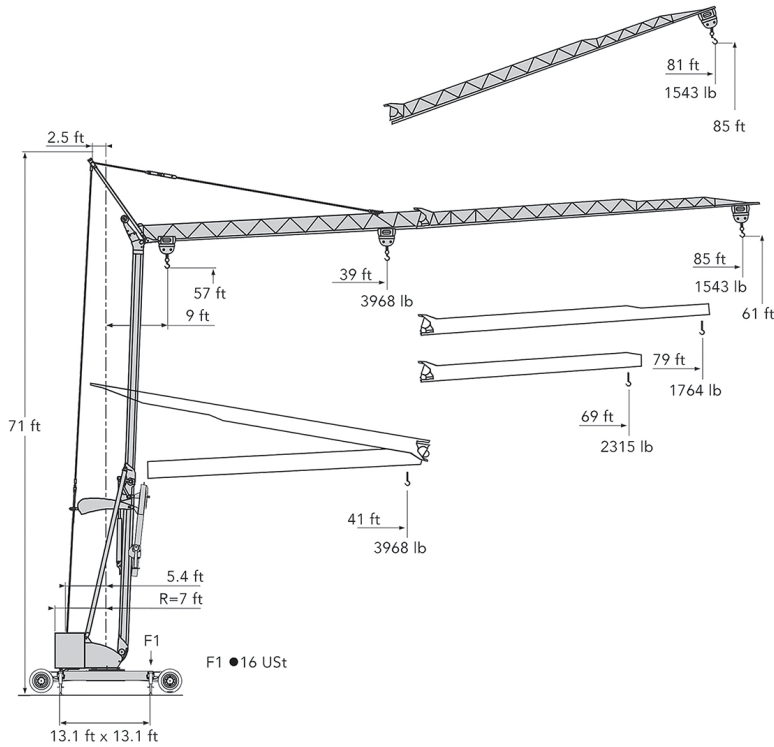
Loadchart

Radius (ft)	39	43	46	49	52	56	59	62	66	69	72	75	79	82	85
Capacity (lb)	3968	3594	3285	3020	2789	2590	2414	2260	2127	2006	1896	1797	1709	1620	1543

NOTE: Dimensions and weights may vary due to manufacturing tolerances.



Montalift M21-4WDS



	GVW	Front axle	Rear axle
Base crane including:			
<ul style="list-style-type: none"> counterweights outrigger pads generator with full tank of fuel frame for genset 	49,384 lbs	25,243 lbs	24,141 lbs

THIS CHART IS ONLY A GUIDE AND SHOULD NOT BE USED TO OPERATE THE CRANE.
 The individual crane's load chart, operating instructions and other instructional plates must be read and understood prior to operating the crane



Pennsylvania
Harrisburg
 7201 Paxton Street
 Harrisburg, PA 17111
 800-325-6455

Philadelphia
 135 Lincoln Avenue
 Prospect Park, PA 19076
 800-220-4033

Pittsburgh
 8181 Noblestown Road
 McDonald, PA 15057
 800-692-7600

Wilkes-Barre
 600 Sathers Drive
 Pittston, PA 18640
 866-667-6756

New York
Albany
 3 Industry Drive
 Waterford, NY 12188
 518-357-2200

Syracuse
 6018 Drott Drive
 Syracuse, NY 13057
 800-368-6455